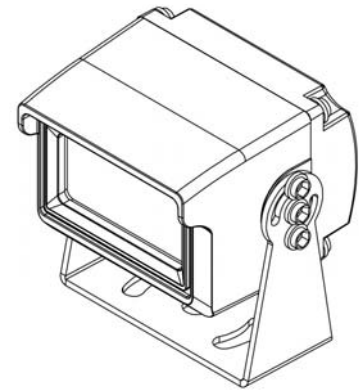
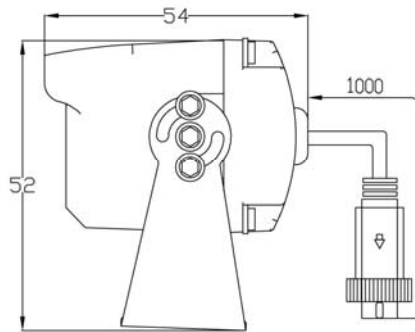
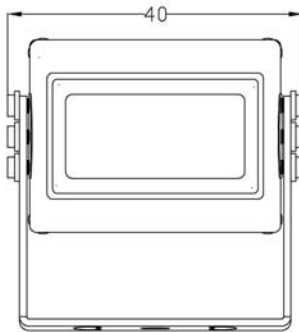


Product Specification

Brigade Model Number: VBV-600C Series Camera

Brigade Stock Code: VBV-600C (A2809)



Dimensions: mm

Product Specification

Environmental Specifications:

- Vibration Rating: 10 G
- Camera IP Rating: IP68
- Connector IP Rating: IP67
- Operating Temperature: -10° to +70°C
- Storage Temperature: -20° to +80°C

Testing Standards:

- HALT tested
- 2006/28/EC

Technical Specifications:

- Operating Voltage: 10v~14 Vdc
- Current Consumption: <180mA
- Power Consumption: 0.9 Watts
- Imaging Devices: CCD - 1/4" Sharp
DSP - Sharp
- TV System: PAL
- Picture Elements: 512 (H) x 582 (V)
- Visual Resolution: 420 TV Lines
- Lens Focal Length: 2.8mm
- Image Transfer: Interline CCD Type
- Signal to Noise Ratio: >48dB
- Required Illumination: 0.02 Lux
- Illumination Distance: 5 Meters

Technical Specifications Continued...

- Viewing Angle: 96° (H) x 72° (V) 120° (D)
- Weight: 225 Grams
- Video Output: 1.0v Peak to Peak @ 75Ω
- Length of Cable: 1 Meter
- Overall Dimensions: 52mm (W) x 54mm (D) x 40mm (H)

Features:

- Back Light Compensation enabled
- Automatic White Balance enabled
- Automatic IRIS for a faster response
- 10 x High Brightness Infrared LEDs
- VBV Type Connector for easy integration
- High Quality Sharp CCD
- High Quality Sharp DSP
- Low Cost High Quality Solution

Package Contents:

- 1x Camera
- 1x Instruction Leaflet
- 1x Bracket
- 4x Screws

Specifications Subject To Change Without Notice

